

**Chip conveyor** for Nakamura



**Teximp**  <sup>®</sup>  
360° CNC Solutions

## Index

Chip conveyor per machine .....	3
Hinged belt conveyor .....	4
Scraper conveyor.....	5
Flushing pump .....	6
Temperature & Level switch .....	7
Supply pump 3/12 bar .....	8
Supply pump 4/24 bar .....	9
Upgrade.....	10
Belt skimmer.....	10
Hinge belt wiper.....	11
Rubber apron on the drop.....	11
Coolant gun system.....	12
Pump / Tank Cover.....	13
Simple Mahle Police Filter MAX. 30bar .....	14
Double Mahle Police Filter MAX. 100bar .....	15
Filter element (Paper) .....	16
Filter element (Wire Mesh).....	16
Paper Band Filter.....	17
Lifting Pump System .....	18

## Chip conveyor per machine

Machine Model	Hinged belt conveyor no. Teximp Standard	Price in EUR	Scraper conveyor no.	Price in EUR
AS-200*	NAK-SB-AS-200-1150	6'160.00	-	-
AS-200L*	NAK-SB-AS-200L-1150	6'990.00	-	-
AS-200LS*	NAK-SB-AS-200LS-1150	7'040.00	-	-
SC-200L	NAK-SB-SC-200L-1150	8'270.00	NAK-KB-SC-200L-1150	T.B.A.
SC-250	NAK-SB-SC-250-1150	7'990.00	NAK-KB-SC-250-1150	T.B.A.
SC-300II	NAK-SB-SC-300II-1150	8'270.00	NAK-KB-SC-300II-1150	7'700.00
SC-450	NAK-SB-SC-450-1150	8'330.00	NAK-KB-SC-450-1150	T.B.A.
WT-100	NAK-SB-WT-100-1150	7'990.00	NAK-KB-WT-100-1150	7'600.00
WT-150II	NAK-SB-WT-150II-1150	8'190.00	NAK-KB-WT-150II-1150	7'740.00
WT-250II	NAK-SB-WT-250II-1150	8'330.00	NAK-KB-WT-250II-1150	7'760.00
WT-300	NAK-SB-WT-300-1150	8'470.00	NAK-KB-WT-300-1150	7'860.00
WY-100II	NAK-SB-WY-100II-1150	8'010.00	NAK-KB-WY-100-1150	7'540.00
WY-150	NAK-SB-WY-150-1150	8'460.00	NAK-KB-WY-150-1150	T.B.A.
WY-250	NAK-SB-WY-250-1150	8'330.00	NAK-KB-WY-250-1150	7'790.00
WY250L	NAK-SB-WY-250L-1150	8'540.00	NAK-KB-WY-250L-1150	7'900.00
NTY <sup>3</sup> -100	NAK-SB-NTY <sup>3</sup> -100-1150	8'110.00	NAK-KB-NTY <sup>3</sup> -100-1150	7'640.00
NTY <sup>3</sup> -150	NAK-SB-NTY <sup>3</sup> -150-1150	8'460.00	NAK-KB-NTY <sup>3</sup> -150-1150	7'890.00
NTY <sup>3</sup> -250	NAK-SB-NTY <sup>3</sup> -250-1150	8'610.00	NAK-KB-NTY <sup>3</sup> -250-1150	7'970.00
NTRX-300	NAK-SB-NTRX-300-1150	8'130.00	NAK-KB-NTRX-300-1150	7'660.00
NTRX-300L	NAK-SB-NTRX-300L-1150	8'330.00	NAK-KB-NTRX-300L-1150	7'820.00
NTMX-L	NAK-SB-NTMX-L-1150	8'500.00	NAK-KB-NTMX-L-1150	7'790.00
NTJX	NAK-SB-NTJX-1150	8'910.00	NAK-KB-NTJX-1150	8'200.00
NTJ-100*	NAK-SB-NTJ-100-1150	9'860.00	NAK-KB-NTJ-100-1150	9'170.00
NTMX*	NAK-SB-NTMX-1150	8'330.00	NAK-KB-NTMX-1150	7'760.00
NTX-S*	NAK-SB-NTX-S-1150	9'570.00	NAK-KB-NTX-S-1150	8'790.00
NTX-W*	NAK-SB-NTX-W-1150	9'570.00	NAK-KB-NTX-W-1150	8'790.00

\* term of delivery 8-12 weeks





## *Hinged belt conveyor*

Suitable for long steel shavings, snarl chips, wool chips, dry processing and wet processing.

AME - Hinged belt conveyor SB 350 partition 63mm

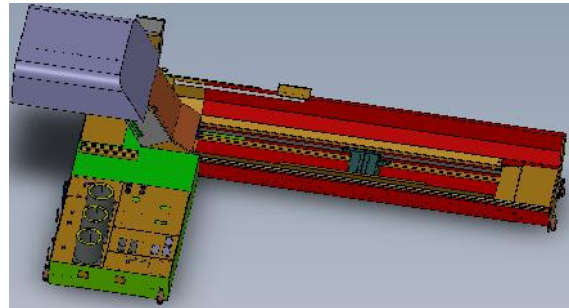
According to drawing no.: see table

Discharge height: 1150mm

Gradient: 60°

Flow rate: approx. 350 dm<sup>3</sup> / h. (continuous task)

Conveyor: manually compressible steel shavings, continuous task



Trough: 3mm sheet steel  
Emulsion expiration to the side tank  
Levelling feet  
Cover of the drive unit (rounded)  
Steering rollers under the conveyor  
Lifting lugs

Side tank: Preparation for supply pumps  
Preparation for flushing pump  
Preparation for level switch  
Preparation for temperature switch  
Preparation for a lift pump system  
Preparation for a belt skimmer  
Preparation for a pump hand gun

1 Piece of loose cover with handle  
1 Piece level indicator  
1 Piece strainer basket  
2 Piece of sieves

Conveying speed: approx. 2 m / min

Hinged belt: partition 63mm, plain, unperforated, carrier distance: 378 mm

Electrical: Switch cabinet laterally in conveying direction right

According to Nakamura interface (24V)

According to AME circuit diagram

Paint: 2K primer and 2K paint

Hood according to RAL 9002 structure

Rest of the unit according to RAL 7024 structure

## Scraper conveyor

Suitable for short steel shavings, needle chips (e.g. brass), cast-iron splinters and rubbed-off cast iron, dry processing and wet processing..

AME - Scraper conveyor KB 350 partition 37.1mm

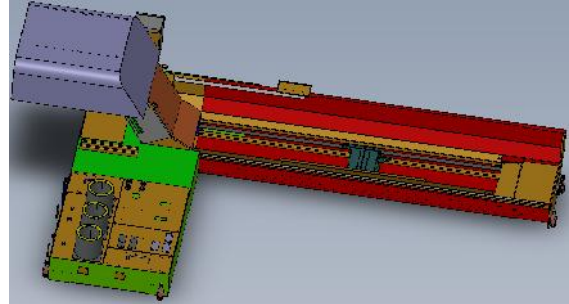
According to drawing no.: see table

Discharge height: 1150mm

Gradient: 60°

Flow rate: approx. 350 dm<sup>3</sup> / h. (continuous task)

Conveyor: short to medium-length chips that do not tend to coiling



Trough: 4mm sheet steel  
Slot sieve intermediate bottom with 1.2mm gap width  
Emulsion expiration to the side tank  
Levelling feet  
Cover of the drive unit (rounded)  
Steering rollers under the conveyor  
Lifting lugs

Side tank: Preparation for supply pumps  
Preparation for flushing pump  
Preparation for level switch  
Preparation for temperature switch  
Preparation for a lift pump system  
Preparation for a belt skimmer  
Preparation for a pump hand gun

1 Piece of loose cover with handle

1 Piece level indicator

1 Piece strainer basket

2 Piece of sieves

Conveying speed: approx. 2 m / min

Scraper chain: partition 38.1mm, carrier distance: 378 mm

Electrical: Switch cabinet laterally in conveying direction right

According to Nakamura interface (24V)

According to AME circuit diagram

Paint: 2K primer and 2K paint

Hood according to RAL 9002 structure

Rest of the unit according to RAL 7024 structure



## Flushing pump

(Mandatory option)

The flushing pump is responsible for the cover flushing.  
Up to 5 flushing lines can be connected.

1 Piece Flushing pump  
Brinkmann  
Typ: TL141/230  
(200V, 50Hz, 0,5KW, 2,9A)

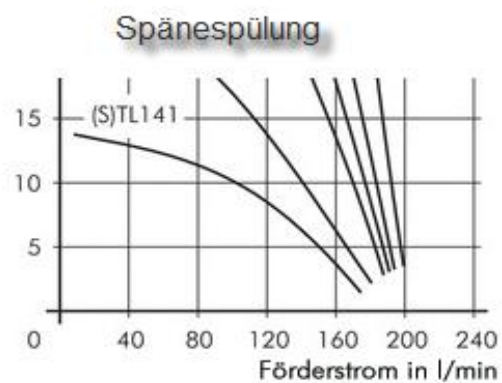
1 Piece Pump plate

1 Piece Check valve between pump and distributor block

1 Piece Distribution block with 5 connections  
2x GHB08HJR with lock ARI08  
2x GHB12HJR with lock ARI12 1x Blind



1 set of loose accessories 1x air connection with non-return



No.	Price in EUR
NAK-FÖ-PS-TL141-A1	1'270.00



## Temperature & Level switch

(Mandatory option)

The temperature sensor is used for thermal compensation.  
The level switch indicates level Minium.

1 Piece Temperature sensor Nakamura

1 Piece Level switch AME

1 Piece Terminal box with Japan plug (X50)

1 Piece Mounting plate

Do not order the Nakamura options:

- Non return valve for coolant supply
- Coolant level float switch

No.	Price in EUR
NAK-FÖ-TN-A1	660.00



## Supply pump 3/12 bar (Selectable option)

The pump supplies **one** revolver.  
For each revolver one pump is required.  
The pump has two pressure levels which can be controlled  
via M commands.

1 Piece Supply pump  
Brinkmann  
Typ: TH416A690-4251+244  
(pole-changeable, 200V, 50Hz, 0,4/1,65KW, 2,5A/7,5A)

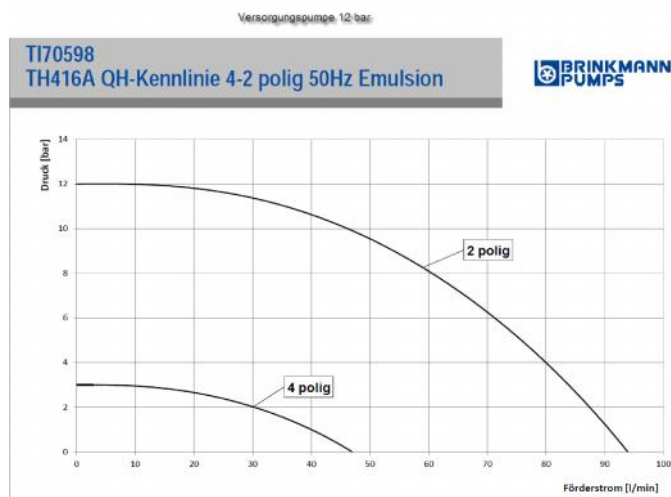
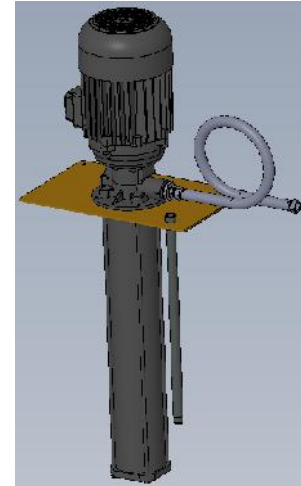
1 Piece Pump plate with 1 piece 1/2 "sleeve / pipe / GHBO8HJR

1 Piece Hydraulic connection on the pump GHBO8HJR with RED piece

1 Piece Check valve

2 m Hydraulic hose

The pump is connected directly  
to the machine supply.



No.	Price in EUR
NAK-FÖ-VP12-TH416-A1	1'920.00





## Supply pump 4/24 bar

(Selectable option / Retrofit)

The pump supplies **one** revolver.  
 For each revolver one pump is required.  
 The pump has two pressure levels which can be controlled  
 via M commands.

1 Piece Supply pump  
 Brinkmann  
 Typ: TH416A690-4251+244  
 (pole-changeable, 200V, 50Hz, 0,4/1,65KW, 2,5A/7,5A)

1 Piece Pump dome L = 300mm

1 Piece Pump plate with 1 piece 1/2 "sleeve / pipe / GHBO8HJR

1 Piece Hydraulic connection on the pump GHBO8HJR with RED piece

1 Piece Check valve

2 m Hydraulic hose

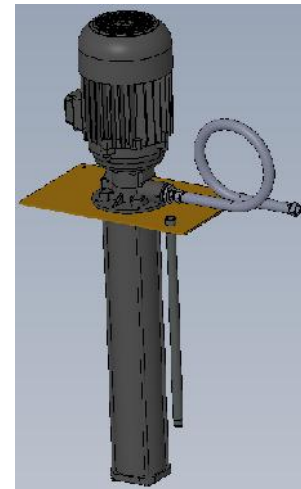
1 Piece Motor protection switch type: GV2ME10

1 Piece Motor protection switch type: GV2ME20

1 Piece Protective hose Flexa type: PA6

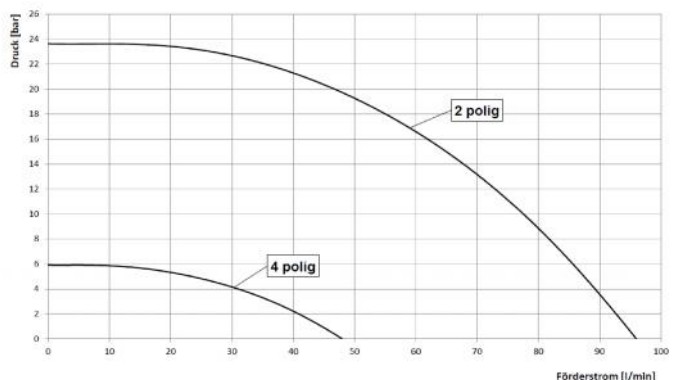
7m Ölflex type: YSLY7 x 1,5mm<sup>2</sup>

The pump is connected directly  
 to the machine supply.



Versorgungspumpe 25 Bar

TI70599  
 TH431A QH-Kennlinie 4-2 polig 50Hz Emulsion



No.	Price in EUR
NAK-FÖ-VP25-TH431-A1	2'660.00



## Upgrade

The following options **can** be added or retrofitted to the above listed conveyors

### Belt skimmer

(Selectable option / Retrofit)

The belt skimmer removes the foreign oil from the emulsion tank.  
The foreign oil is transported to a container.  
This container must be emptied regularly.

1 Piece belt skimmer

Hamma Typ: Rapid 2.1

230V, 50Hz with Schuko plug, incl . weekly timer

1 Piece Holder AME

1 Piece Oil container incl. over flow



The band skimmer has to be supplied from separate power supply

No.	Price in EUR
NAK-FÖ-BS-A1	1'300.00

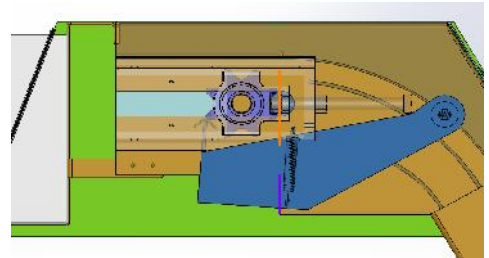


## Hinge belt wiper

(Selectable option only for hinge belt / Retrofit)

The scraper is pressed against the hinge belt by spring pressure.  
For stripping adhering chips.

1 Piece Hinge belt wiper



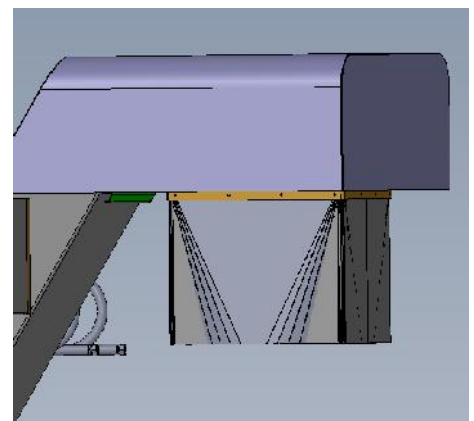
No.	Price in EUR
NAK-FÖ-AS-A1	390.00

## Rubber apron on the drop

(Selectable option)

The rubber apron help to channel the chips.

1 Piece Rubber apron  
Discharge height with apron = 950mm



No.	Price in EUR
NAK-FÖ-GS-A1	170.00

## Coolant gun system

(Selectable option / Retrofit)

An additional pump is used to supply the hand gun.  
The gun can be activated via a pushbutton on a separate control panel.  
The handgun is switched off after a delay time.



763 2055

- 1 Piece Pump TC40 / 260-430
- 1 Piece Pump dome L = 40mm
- 1 Piece Reduction of G1 "to G1 / 2"
- 1 Piece Hydraulic connection GHBO8HJR
- 1 Piece Hydraulic hose
- 1 Piece Hand gun
- 1 Piece Electrical connection of the pump (cable 5m)
- 1 Piece Plug (Harting)
- 1 Piece Time relays
- 1 Piece Single button housing pump On
- 1 Piece Motor protection switch and contactor

No.	Price in EUR
NAK-FÖ-HP-A1	1'320.00





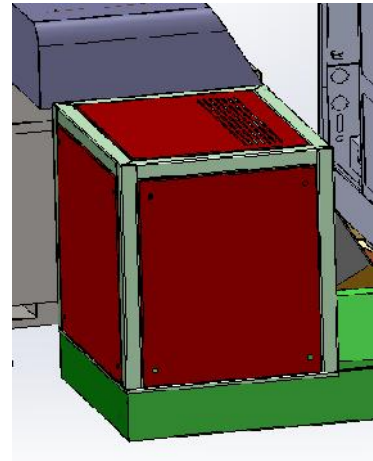
## Pump / Tank Cover

(Selectable option / Retrofit)

Mandatory option for Police Filter & Paper Band Filter

The cover serves as a mounting bracket for various attachments.

1 Piece Pump / Tank cover



No.	Price in EUR
NAK-FÖ-PA-A1	770.00

## Simple Mahle Police Filter MAX. 30bar

(Selectable option / Retrofit)

**Mandatory option Pump / Tank Cover**

The coolant is pumped through the filter to the machine.  
The filter fineness can be determined via the filter element.  
A sensor indicates the contamination.



1 Piece Mahle filter housing Type: PI2030-69

1 Piece Holder for Mahle filter

1 Piece Connection cable with M12 plug for connection to the terminal box Temp / Level

1 Piece Hydraulic hose

(A filter element is needed – please select)

No.	Price in EUR
NAK-FÖ-EPF-A1	640.00



## Double Mahle Police Filter MAX. 100bar

(Selectable option / Retrofit)

### Mandatory option Pump / Tank Cover

The coolant is pumped through the filter to the machine.  
The filter fineness can be determined via the filter element.  
A sensor indicates the contamination.  
The replacement of the cartridges can be done during machining.



1 Piece Mahle filter housing Type: PI3730-15

1 Piece Holder for Mahle filter

1 Piece Connection cable with M12 plug for connection to the terminal box Temp / Level

1 Piece Hydraulic hose

(Two filter elements are needed– please select)

No.	Price in EUR
NAK-FÖ-DPF-A1	1'200.00

### *Filter element (Paper)*

Paper filter element.  
For the use of emulsion (only limited use with oil).  
Filter fineness 25 $\mu$ m.



1 Piece Mahle filter element Type: PI1030 KS MIC 25 / K197

No.	Price in EUR
NAK-FE-Papier-A1	170.00

### *Filter element (Wire Mesh)*

Wire mesh filter element.  
For the use of emulsion and oil.  
Filter fineness 40 $\mu$ m.



This filter can be washed up to 5 times.

1 Piece Mahle filter element Type: PI8330DRG40

No.	Price in EUR
NAK-FE-Draht-A1	390.00





## Paper Band Filter

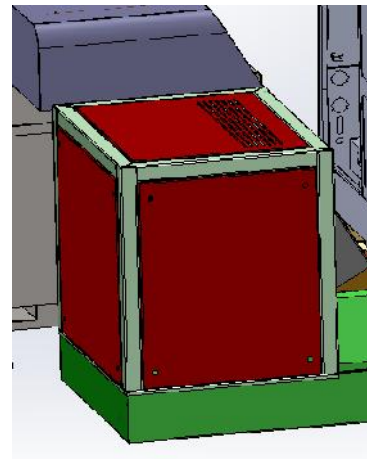
(Selectable option / Retrofit)

**Mandatory option Pump / Tank Cover & Lifting Pump System**

Coming soon.

1 Piece Paper Band Filter

Coming soon.

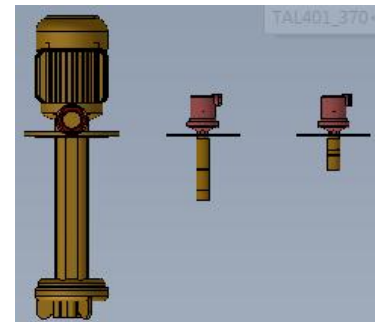


No.	Price in EUR
NAK-FÖ-PBF-A1	T.B.A.

## Lifting Pump System

### Mandatory option Paper Band Filter

Is required when operating with a paper band filter system. The lifting pump system is controlled and secured from the cabinet of the paper band filter system. The lifting pump is installed on the chip conveyor and pumps the contaminated liquid to the paper band filter system.



- 1 Piece Lifting pump  
Brinkmann  
Typ: TAL401/370 400V
- 1 Piece Level switch lifting pump on / off
- 1 Piece Level switch flooding
- 10m Spiral hose G1 1/2 "
- 1 Piece Hose nozzle (for the TAL401)
- 1 Piece Hose clip
- 1 Piece Pump plate
- 10m Connection cable with 4 pol Harting (lift pump)
- 10m Connection cable with 6 pin Harting (level switch)

No.	Price in EUR
NAK-FÖ-HPS-TAL401-A1	1'020.00

